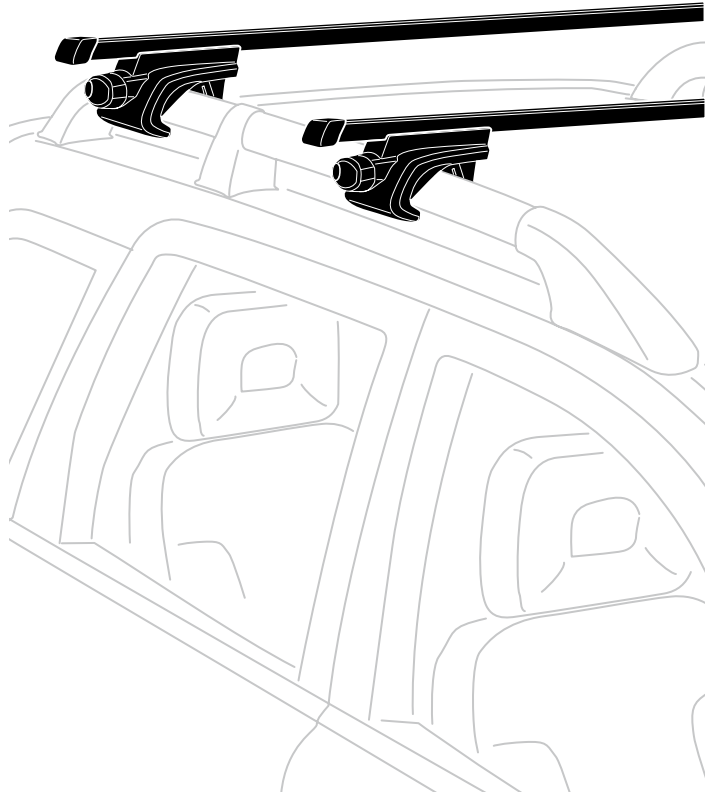


instructions

Rapid System 757

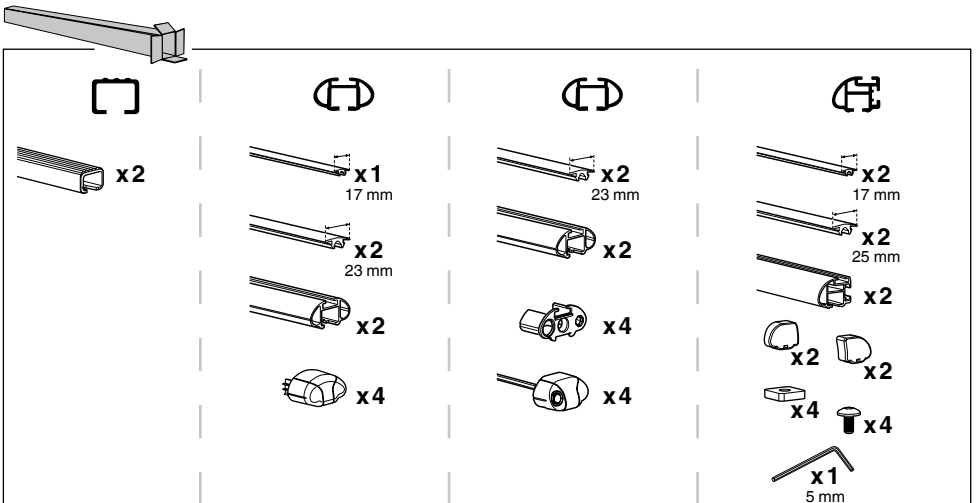
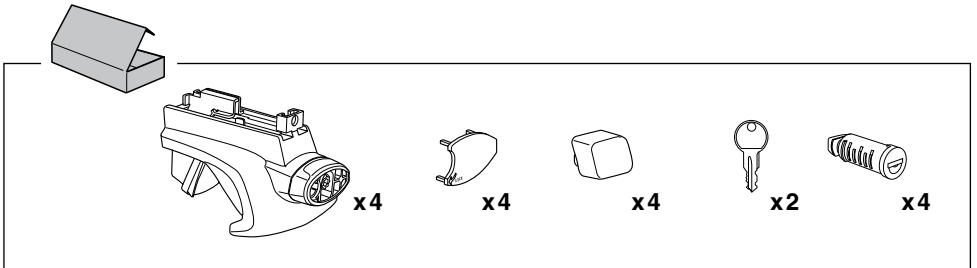
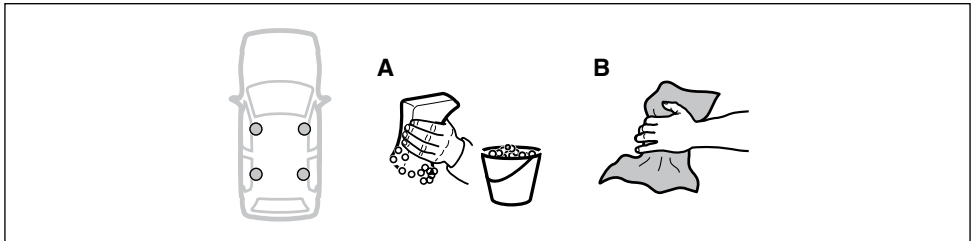
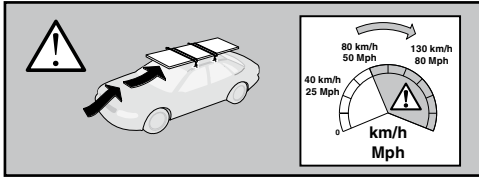
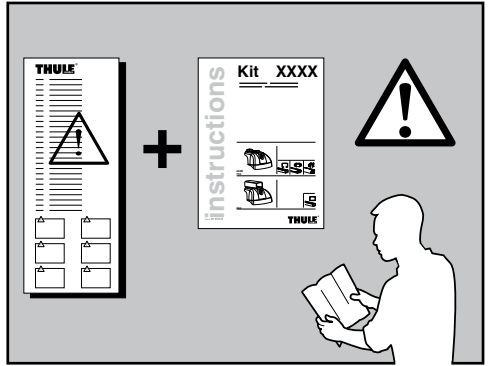
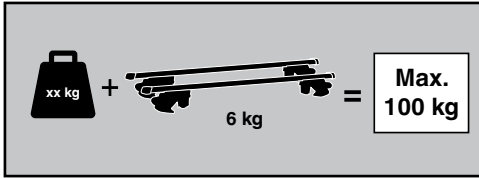


757000

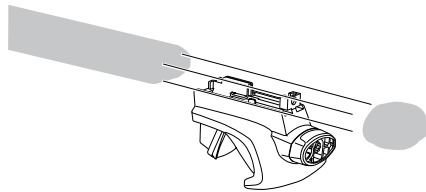
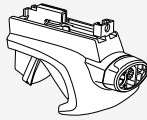


ISO 11154-E

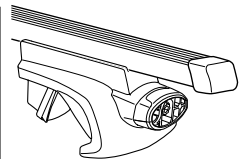
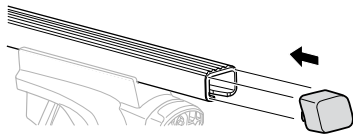
THULE[®]
SWEDEN



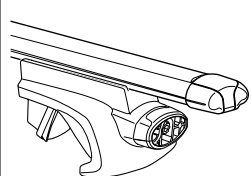
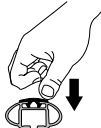
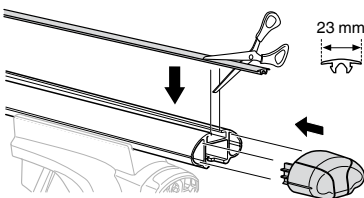
1



x4

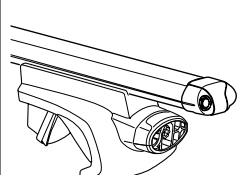
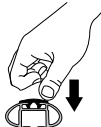
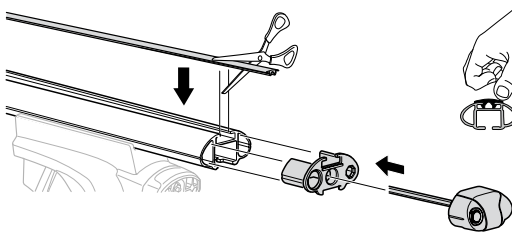


x4



x4

x4



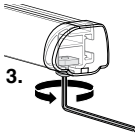
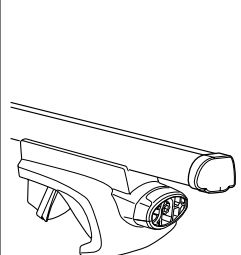
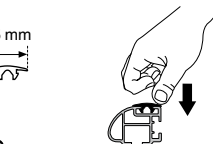
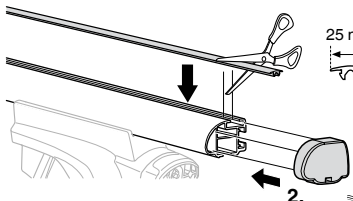
x2

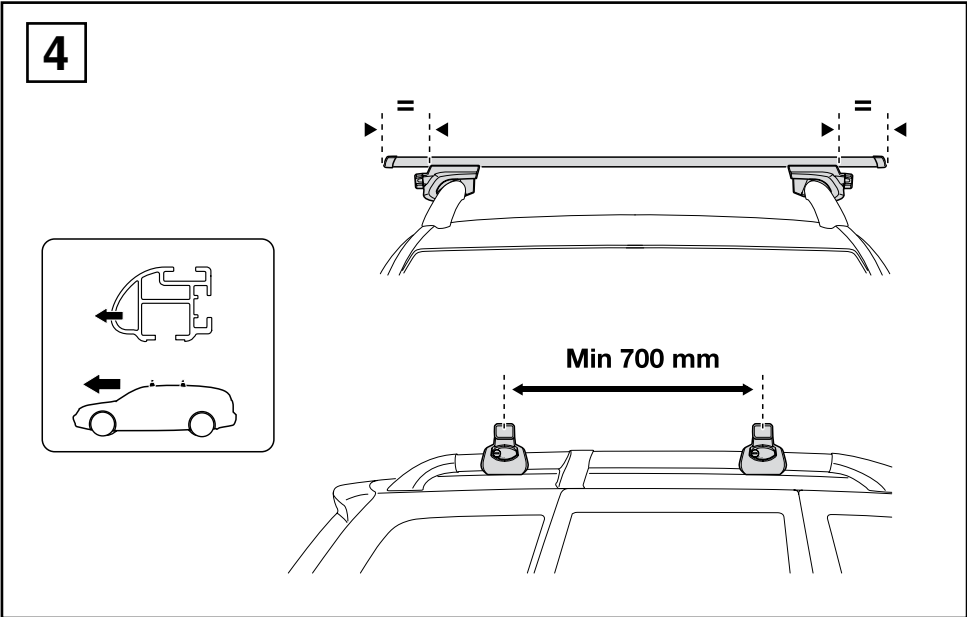
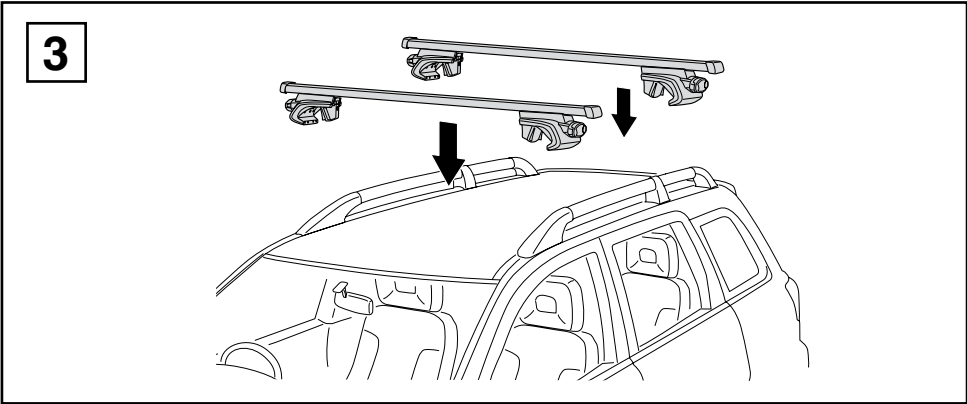
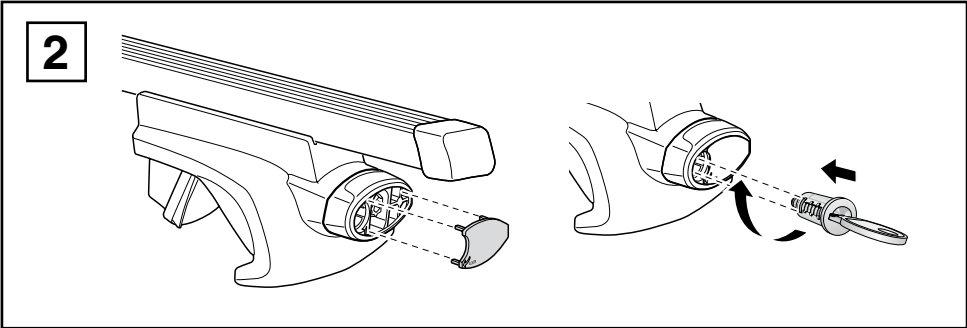
x2

x4

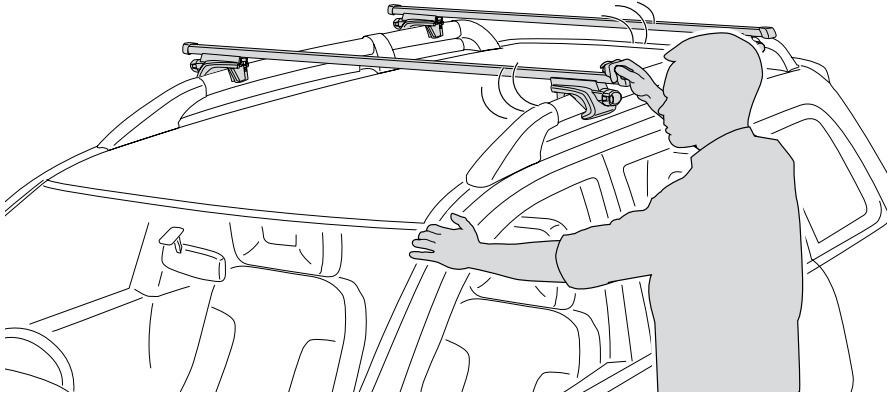
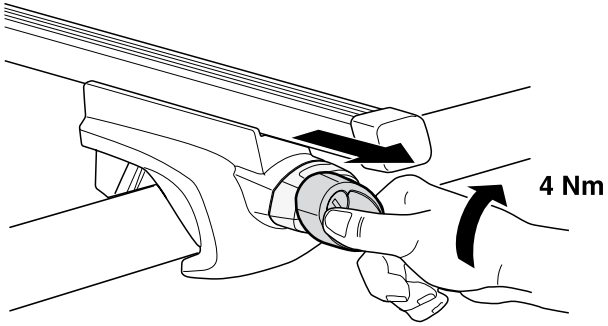
x4

x1
5 mm

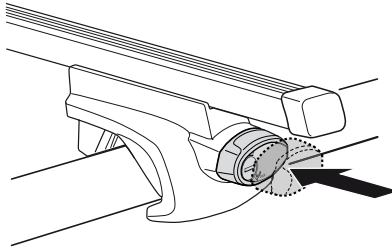




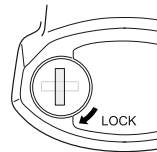
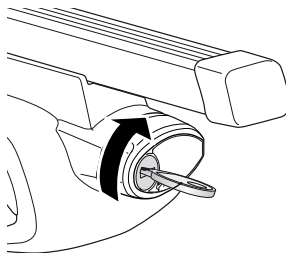
5



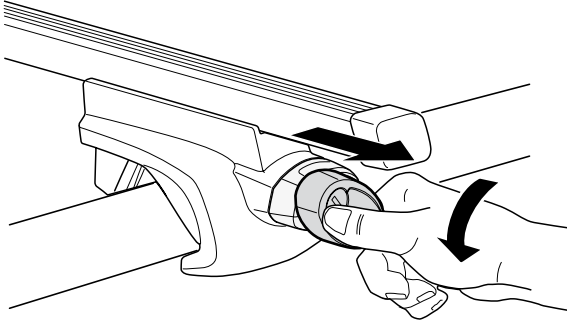
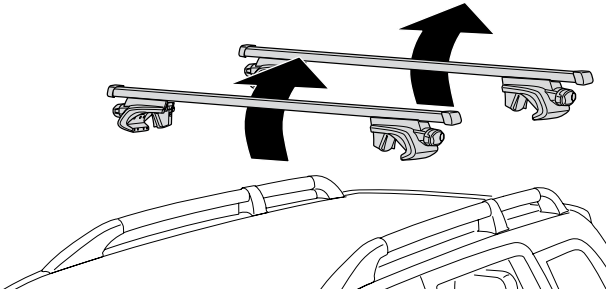
6



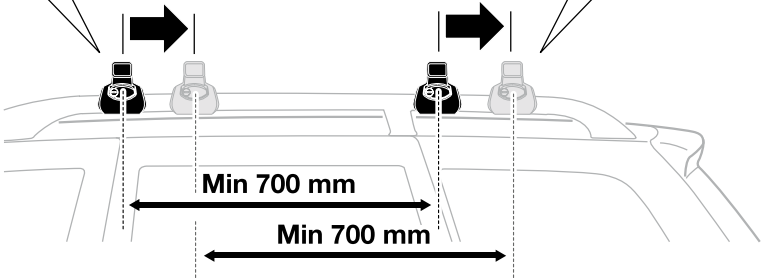
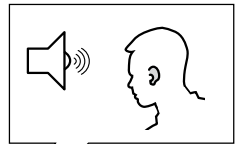
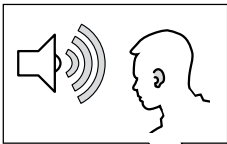
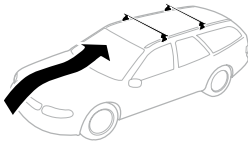
x4

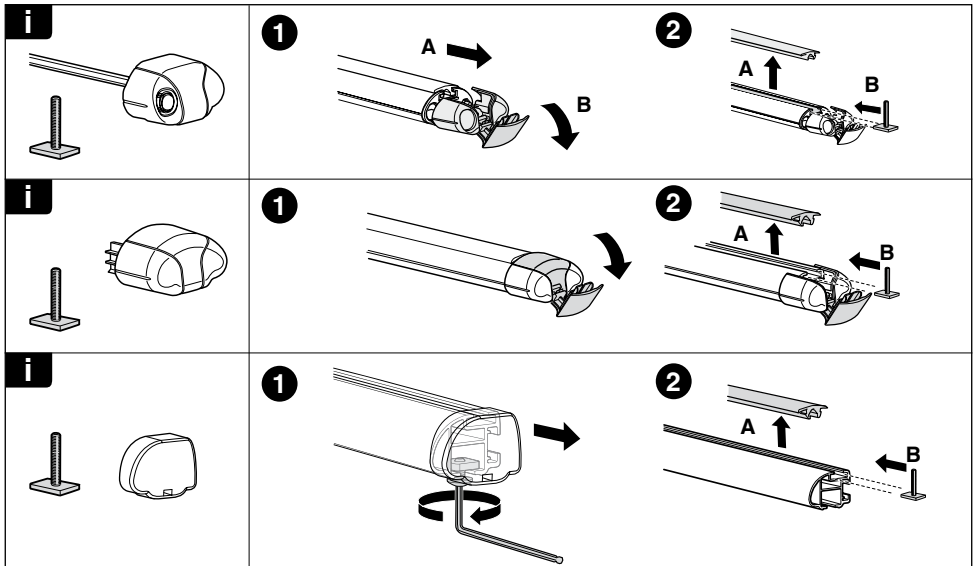
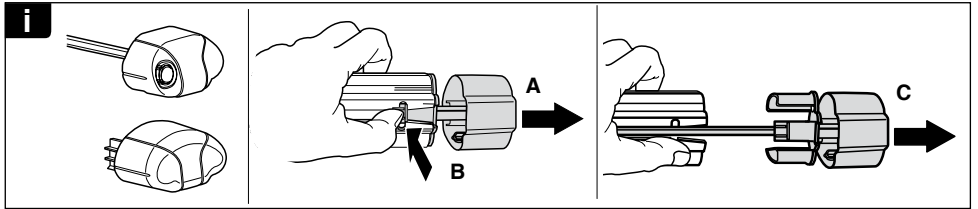
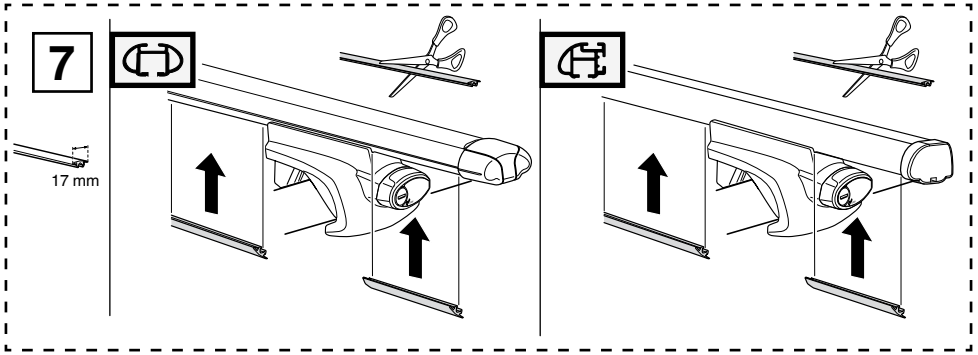


i



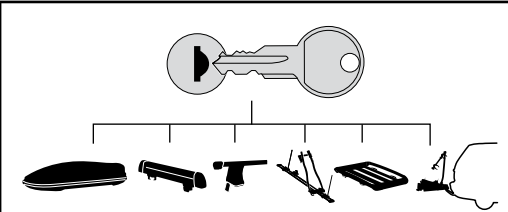
i











THULE
SWEDEN

**ONE
KEY
SYSTEM**



- 
- 544**  (x4)
 - 596**  (x6)
 - 588**  (x8)
 - NA 510**  (x10)
 - EUR 452**  (x12)